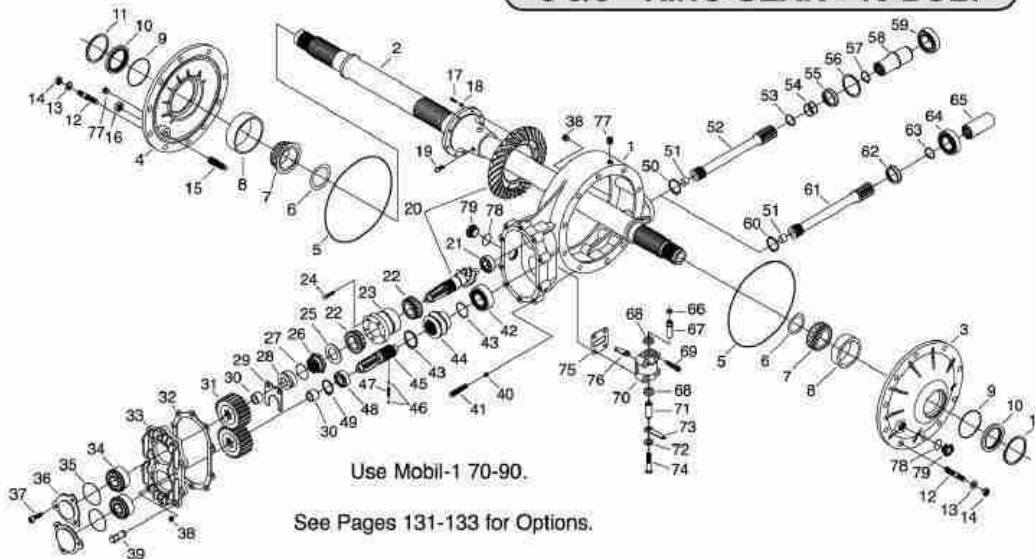


MIDGET

8 3/8" RING GEAR - 10 BOLT



#	Description	P/N	Qty	#	Description	P/N	Qty
1	Magnesium Center Section	K6727S	1	42	Ball Bearing, Lower Shaft (Rear)	7385	1
2*	31 Spline Steel Axle	6778	1	43	Snap Ring, Rear Bearings	7655	2
2*	31 Spline Aluminum Axle	6778A	1	44	Sliding Coupler	6781	1
2	36 Spline Heavy Duty Aluminum Axle	6760	1	45	Stub Shaft	6728	1
3	Magnesium Right Side Bell	K6724-01	1	46	1/4" Steel Detent Ball	7347	2
4	Magnesium Left Side Bell	K6724-02	1	47	Detent Spring	6318	1
5	O'Ring, Side Bell	7451	2	48	Shielded Ball Bearing, Stub Shaft	7534	1
6	Bearing Shim Kit	6709	1	49	Snap Ring, Stub Shaft	7658	1
7*	Bearing Cone, Axle	7301	2	50	Snap Ring, Lower Shaft (Rear)	7659	1
8*	Bearing Cup, Side Bell	7302	2	51	Bushing, Lower Shaft	7530	1
9	O'Ring, Side Bell Seal	7450	2	52*	Lower Shaft, use w/Internal Coupler	6731-01	1
10	Seal, Side Bell	7243	2	52*	Heat Treated Lower Shaft, use w/Internal Coupler	6731-03	1
11	Snap Ring, Side Bell	7654	2	52*	Titanium Lower Shaft, use w/Internal Coupler	6731T	1
12*	3/8-16 Stud, Side Bell	7905	20	53	Snap Ring, Lower Shaft (Front)	7645	1
13	3/8 Belleville Washer	7916	20	54	O'Ring, Lower Shaft	7418	2
14	3/8-16 Lock Nut	7885	20	55*	Seal, Internal Coupler	7242	1
15	Adjusting Screw	7890	1	56	Spacer, Front Bearing	6680	1
16	5/8-18 Jam Nut, Adjusting Screw	7891	1	57*	Internal Snap Ring, Internal Coupler	7664	1
17	3/8-24 Ring Gear Bolt (for Threaded Ring Gear only)	7852	10	58*	Internal 10-10 Coupler, Steel	6732	1
18	3/8 Belleville Washer	7815	10	58*	Internal 10-10 Coupler, Aluminum	6732A	1
19*	1/2-20 x 1" BHCS	7805	4	59*	Ball Bearing, Internal Coupler	7531	1
20*	3.78 Ratio Ring and Pinion (Standard)	6811	1	60*	Snap Ring, Lower Shaft (Internal Coupler)	7645	1
21	Ball Bearing, Pinion Nose	7392	1	61*	Standard Lower Shaft	6912-01	1
22*	Bearing Cone, Pinion Shaft	7527	2	61*	Heat Treated Lower Shaft	6912-03	1
23*	Flanged Double Cup, Pinion Shaft	7525	1	61*	Titanium Lower Shaft	6912T	1
24	3/8-16 x 1" BHCS, Flanged Double Cup	7878	5	62*	Seal, Standard Lower Shaft	7245	1
25	Bearing Washer, Pinion	6824	1	62*	Seal for Titanium Shaft	7248	1
26	Pinion Nut	6821	1	63*	Snap Ring, Lower Shaft (Standard Coupler)	7610	1
27	O'Ring, Pinion Nut	7455	1	64	Sealed Ball Bearing, Lower Shaft (front)	7383	1
28	Retainer, Pinion Nut	6822	1	65	10-10 Coupler (not included with assembly)	5987	1
29	Bearing Retainer	6751	1	66	O'Ring, Shifter Shaft	7456	1
30	Gear Spacer (use w/1" Wide Gears only)	1372	2	67	Upper Shaft	2667	1
31*	Quick Change Gear Set (1" wide)(Not Included)	4400	1	68	Seal, Shifter Housing	7244	2
31*	Quick Change Gear Set (1 3/8" wide)(Not Included)	4500	1	69	3/8-16 x 1 1/2" 12pt	7790	4
32	Gasket, Gear Cover	6703	1	70	Shifter Housing, Magnesium	K6795	1
33*	Magnesium Gear Cover	K6718	1	71	Lower Shaft	2668	1
34	Ball Bearing with Snap Ring, Gear Cover	7532	2	72	Bellville Washer	8064	1
35	O'Ring, Bearing Caps	7424	2	73	External Lever	2665	1
36	Bearing Cap, Gear Cover	1950	2	74	1/4-28 x 1.75 HHCS	8068	1
37	1/4-20 x 5/8" BHCS, Bearing Cap	7850	6	75	Gasket, Shifter Housing	6738	1
38	#6 Port Plug with O'Ring	7874	3	76	Internal Lever	2666	1
39	3/8-16 High Nut, Gear Cover	7794A	10	77	3/8 Pipe Plug	7111B	3
40	5/16 Steel Ball, Gear Cover Stud	7398	10	78	O'Ring, Inspection Plug	7454	2
41	3/8-16 Stud, Gear Cover	7802	10	79	Small Inspection Plug with O-Ring	6857	2

* Part Numbers in this list may vary depending on options ordered at time of purchase. Please check the assembly tag included with your rear.